

Properties

- Ø6.5 mm housing
- 3 mm, non-flush mountable
- DC, 3-wire switching output
- Cable and connector versions

Technical Data

For detailed data and product description refer to the data sheets at www.pepperl-fuchs.com

General Data	
Rated operating distance	3 mm
Installation	non-flush
Type of voltage	DC
No-load supply current	≤ 15 mA
Reverse polarity protection	✓
Switching frequency	0 ... 2000 Hz
Operating current	0 ... 100 mA
Short-circuit protection	pulsing
Indication of the switching state	LED, yellow
Ambient temperature	-25 ... 70 °C (-13 ... 158 °F)
Housing material	brass, nickel-plated
Protection degree	IP67

Model Number

		green = preferred type		NBN3-6,5M30-E0	NBN3-6,5M30-E2	NBN3-6,5M25-E0-V3	NBN3-6,5M25-E1-V3	NBN3-6,5M25-E2-V3
Switching element function	NPN	NO	•	•		•		
	NPN	NC					•	
	PNP	NO		•				•
Operating voltage	10 ... 30 V		•	•				•
	5 ... 30 V					•	•	
Connection type	Device connector M8 x 1, 3-pin			•	•	•	•	•
	cable PVC, 2 m			•	•			

Approvals and Certificates

UL approval	cULus Listed, General Purpose	•	•	•	•	•
CSA approval	cCSAus Listed, General Purpose	•	•	•	•	•
CCC approval	Products with a maximum operating voltage of ≤36 V do not bear a CCC marking because they do not require approval.					

Dimensions

Length L [mm]	30	29
Diameter D [mm]	6.5	6.5 / 8
Thread length l _t [mm]		0
Cap length l ₁ [mm]		4
Connector area l _c [mm]	0	6
LED position	Pos. C	Pos. B

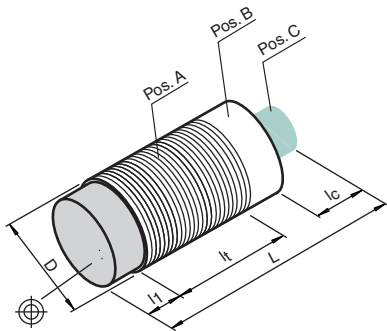
Accessories

This and more accessories can be found in chapter 10

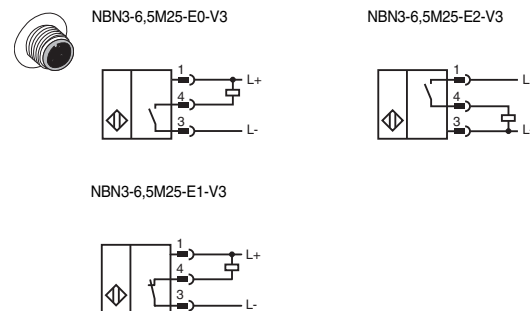
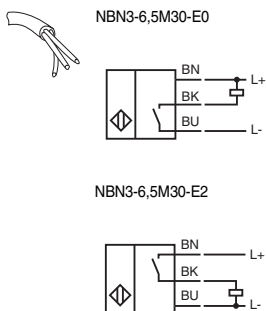
See pages from 972 ... for cordsets

See pages 1068 ... for mounting aids

- BF 6,5** Mounting flange, 6.5 mm
- V3-GM-2M-PUR** Cable socket, M8, 3-pin, PUR cable
- V3-WM** Female connector, M8, 3-pin, field attachable
- V3-GM** Female connector, M8, 3-pin, field attachable
- V3-WM-2M-PUR** Cable socket, M8, 3-pin, PUR cable



Electrical Connection



Wire colors in accordance with EN 60947-5-2

- 1 BN (brown)
- 3 BU (blue)
- 4 BK (black)